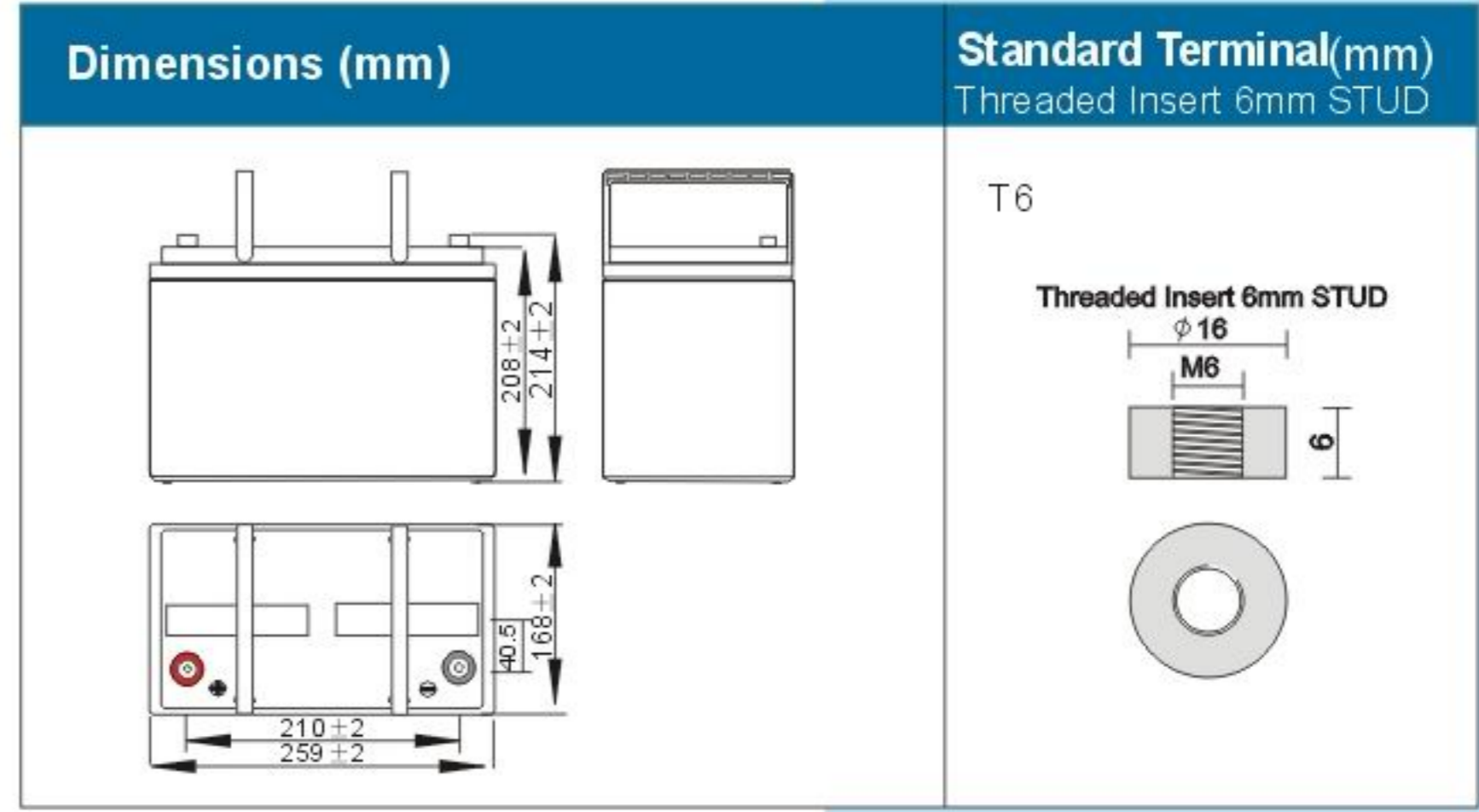
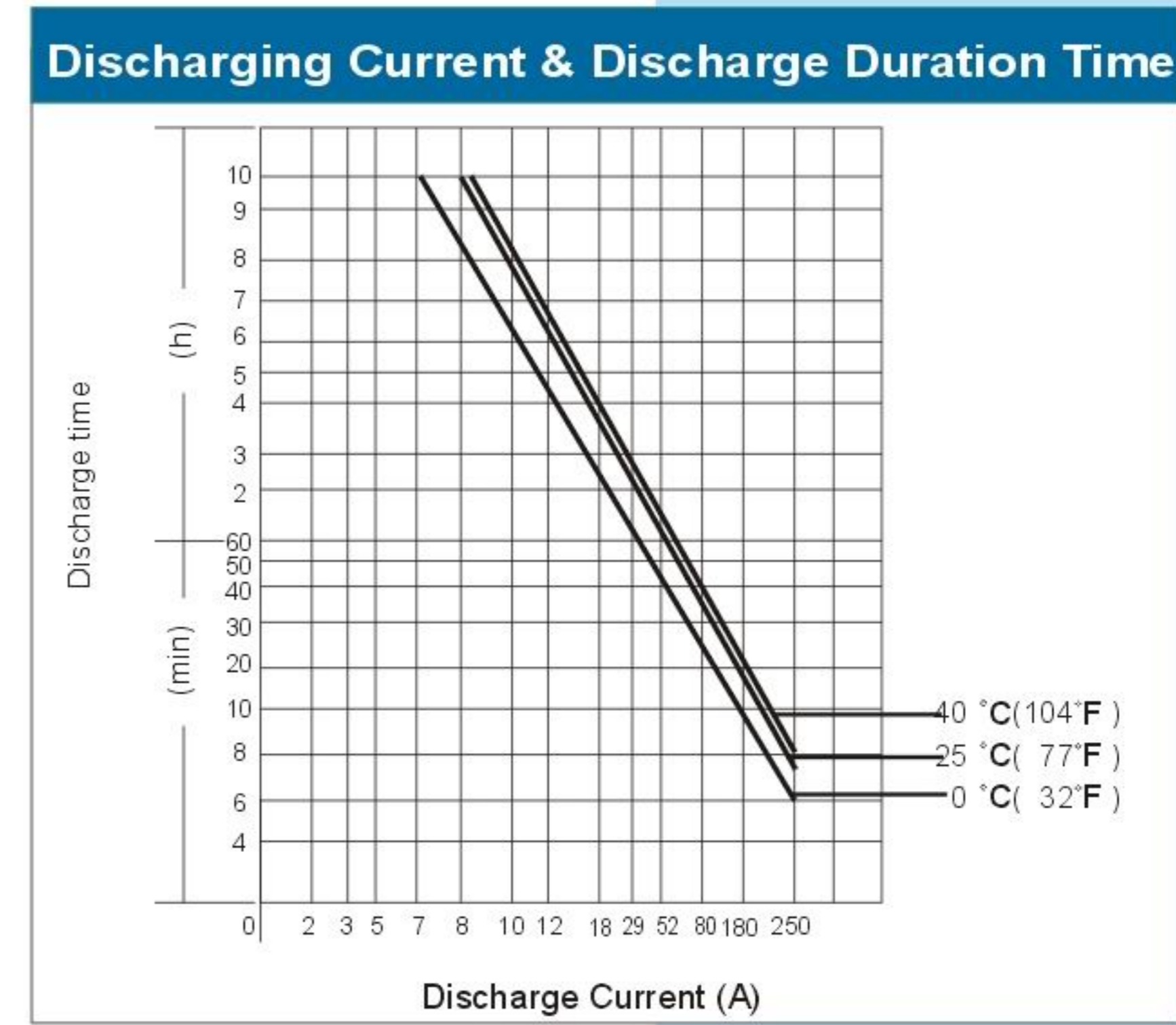




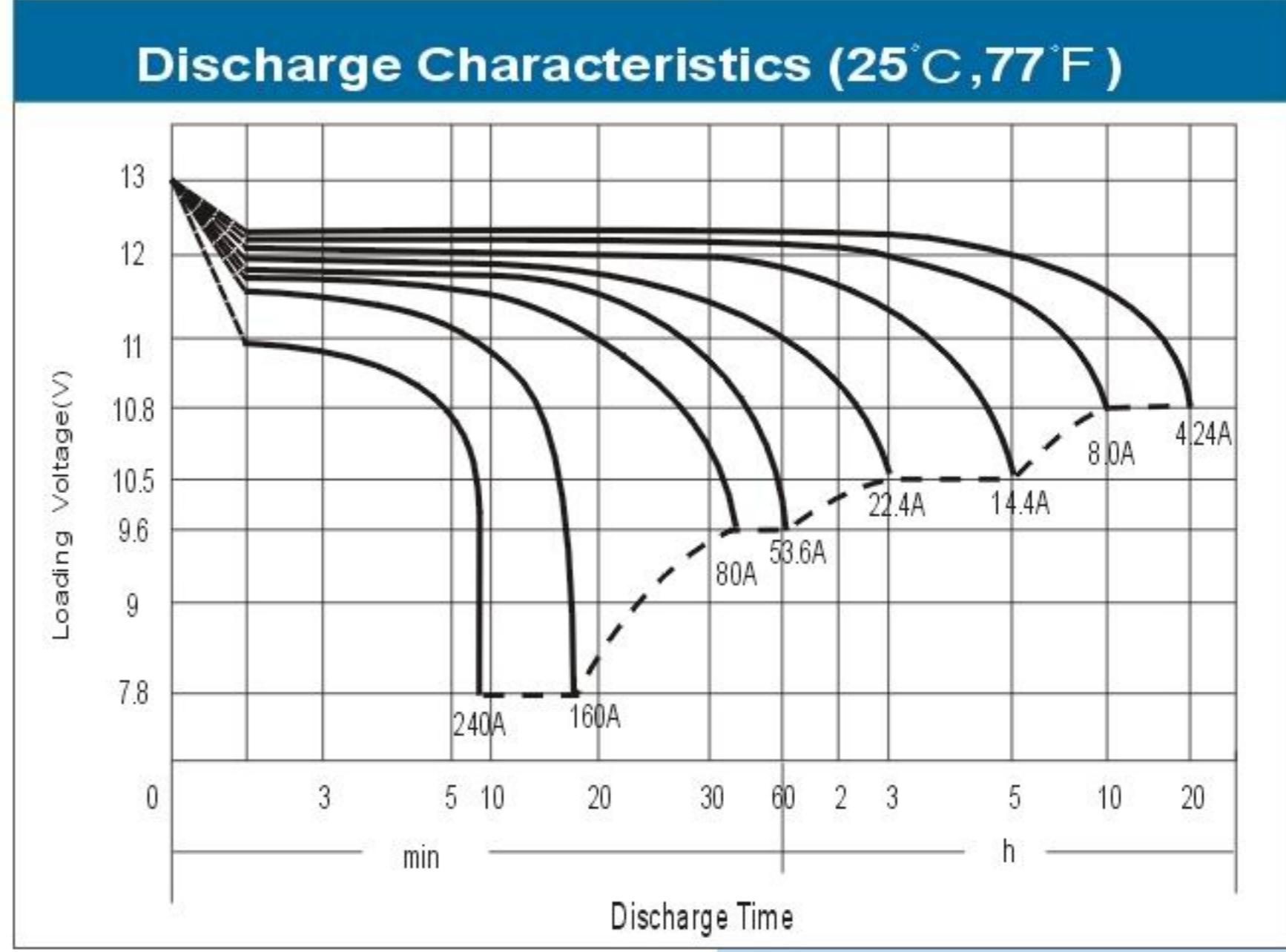
DJM1280 (12V80AH)



PHYSICAL SPECIFICATION		
Nominal Voltage		12V
Nominal Capacity (10HR)		80AH
Dimension	Length	259 ± 2mm (10.20 inches)
	Width	168 ± 2mm (6.61 inches)
	Container Height	208 ± 2mm (8.19 inches)
	Total Height (with Terminal)	214 ± 2mm (8.43 inches)
Weight		Approx 22.6kg (49.83lbs)
Standard Terminal		Threaded Insert 6mm STUD



Electrical Specification					
Rated Capacity	20 hour rate (4.24 A)	84.8AH	Constant Voltage	Cycle	Initial Charging Current less than 24.0A. Voltage 14.4V~ 15.0V at 25°C (77°F) Temp. Coefficient -30mV/°C
	10 hour rate (8.0 A)	80.0AH			
	5 hour rate (14.4A)	72.0AH			
	3 hour rate (22.4A)	67.2AH			
	1 hour rate (53.6A)	53.6AH			
Capacity affected by Temperature	40°C (104°F)	103%	Charge	Standby	No limit on Initial Charging Current Voltage 13.5V~13.8V at 25°C(77°F) Temp. Coefficient -20mV/°C
	25°C (77°F)	100%			
	0°C (32°F)	86%			



Constant Current (Amp) and Constant Power (Watt) Discharge Table (25°C, 77°F)															
Amp/Watt/Cell	Time(minute)	10	15	20	30	45	60	120	180	240	300	360	480	600	1200
	Final voltage	1.30	1.30	1.30	1.60	1.60	1.67	1.70	1.75	1.75	1.75	1.75	1.80	1.80	1.80
A		212.0	161.2	130.0	100.0	70.0	53.6	30.0	22.4	17.2	14.4	12.3	9.6	8.0	4.24
W		398.6	305.4	254.8	188.7	139.1	106.1	59.7	44.6	34.3	28.7	24.6	19.1	16.0	8.48